
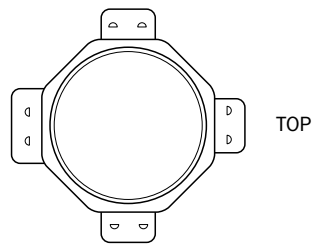
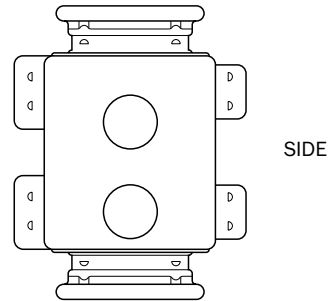


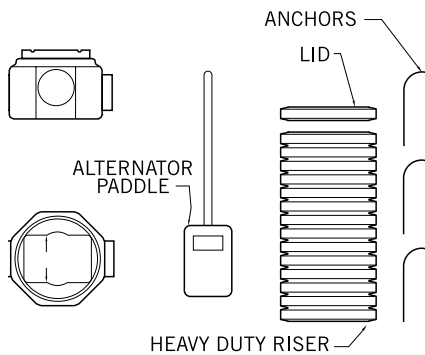
WASTE WATER ACCESSORIES

WASTE WATER ACCESSORIES

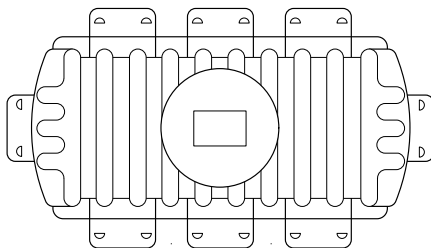
DESCRIPTION	PRODUCT CODE
Alternator Valve Kit with 30" (750mm) Riser	CA AS3 00 0000
 Bull Run Valve with 24" (600mm) Key	4182FG
Distribution Box	CA D00 00 0000
18" x 24" Multi-purpose Distribution Sump	CA DM0 00 0000
Lid Kit for Sewage Ejector Sump and Radon Vented Sump	CA RWL 00 0000
18" x 24" Sewage Ejector Sump with PVC Hub	CA SB3 18 0001



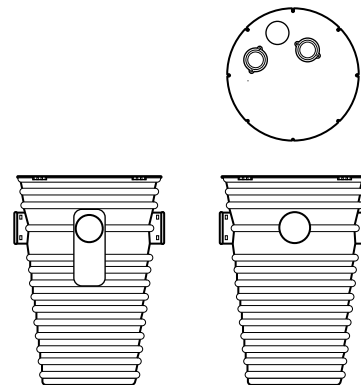
MULTI-PURPOSE DISTRIBUTION SUMP



ALTERNATOR VALVE



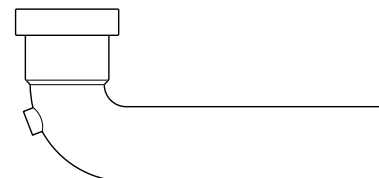
DISTRIBUTION BOX



SEWAGE EJECTOR SUMP AND LID

VENTED ELLS & BAFFLES

DESCRIPTION	PKG. QUANTITY	PRODUCT CODE
4" (100mm) Vented Ells	5	CA EVO 04 0000
4" (100mm) Vented Baffle, 3" (75mm) Spur	6	CA BOT 04 0000



VENTED ELL