

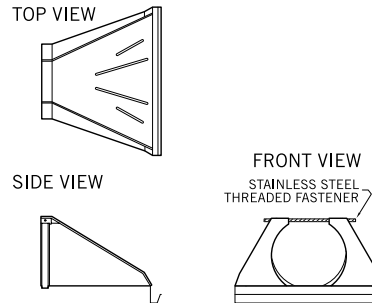
OUTFLOW ACCESSORIES

FLARED & SLOPED END SECTIONS, ANIMAL GUARDS & TRASH GUARDS

FLARED END SECTIONS



SIZE	PRODUCT CODE
10" (250mm) and 12" (300mm)	MR PES 12 0000
15" (375mm)	MR PES 15 0000
18" (450mm)	MR PES 18 0000
24" (600mm)	MR PES 24 0000
30" (750mm)	MR PES 30 0000
36" (900mm)	MR PES 36 0000

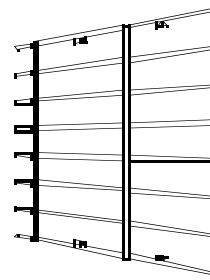


FLARED END SECTION

METAL TRASH GUARDS



DIAMETER	DESCRIPTION	PRODUCT CODE
12" (300mm)	GALVANIZED STEEL	12900A
15" (375mm)	GALVANIZED STEEL	15900A
18" (450mm)	GALVANIZED STEEL	18900A
24" (600mm)	GALVANIZED STEEL	24900A
30" (750mm)	GALVANIZED STEEL	30900A
36" (900mm)	GALVANIZED STEEL	36900A

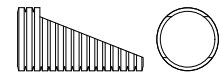


METAL TRASH GUARD

SLOPED END SECTIONS



DIAMETER	SLOPE 2:1	SLOPE 3:1	SLOPE 4:1	SLOPE 6:1
12" (300mm)	FC S21 12 0000	FC S31 12 0000	FC S41 12 0000	FC S61 12 0000
15" (375mm)	FC S21 15 0000	FC S31 15 0000	FC S41 15 0000	FC S61 15 0000
18" (450mm)	FC S21 18 0000	FC S31 18 0000	FC S41 18 0000	FC S61 18 0000
24" (600mm)	FC S21 24 0000	FC S31 24 0000	FC S41 24 0000	FC S61 24 0000
30" (750mm)	FC S21 30 0000	FC S31 30 0000	FC S41 30 0000	FC S61 30 0000
36" (900mm)	FC S21 36 0000	FC S31 36 0000	FC S41 36 0000	

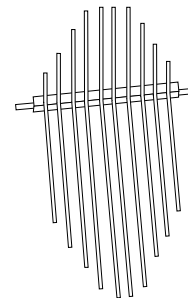


SLOPED END SECTION

ANIMAL GUARDS



DIAMETER	DESCRIPTION	PRODUCT CODE
4" (100mm)	METAL RAT GUARD	04700A
6" (150mm)	METAL RAT GUARD	06700A
8" (200mm)	METAL RAT GUARD	08700A
10" (250mm)	METAL RAT GUARD	10700A
12" (300mm)	METAL RAT GUARD	12700A
15" (375mm)	METAL RAT GUARD	15700A
18" (450mm)	METAL RAT GUARD	18700A
24" (600mm)	METAL RAT GUARD	24700A
30" (750mm)	METAL RAT GUARD	30700A
36" (900mm)	METAL RAT GUARD	36700A



ANIMAL GUARD